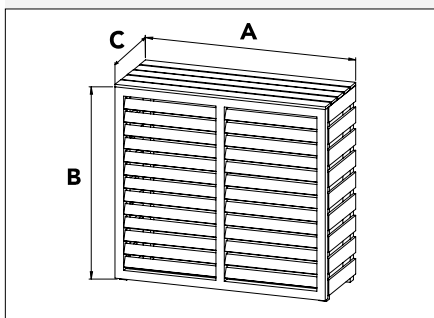


SCUDO PVC SPLIT CABINE

TECHNICAL FEATURES

- WOOD EFFECT PVC
- AVAILABLE IN TWO SIZES



CODE	EXTERNAL DIMENSIONS (mm)			INTERNAL DIMENSIONS (mm)		
	A	B	C	A	B	C
SCC600001	885	691	345	785	680	295
SCC600002	990	911	395	895	900	345

PER UNITÀ ESTERNE

USEFUL FOR PROTECTING FLOOR-STANDING OUTDOOR UNITS FROM ACCIDENTAL KNOCKS. IDEAL ON BALCONIES OR IN TRANSIT AREAS TO CONCEAL A CONDENSING UNIT WITH **AN ATTRACTIVE CABINET**.



CODE	DESCRIPTION
SCC600001	"SCUDO SMALL" PVC SPLIT CABINET
SCC600002	"SCUDO BIG" PVC SPLIT CABINET

COVERS FOR COMPRESSOR / CONDENSING UNIT

ESSENTIAL FOR PROTECTING OUTDOOR UNITS FROM ENVIRONMENTAL FACTORS (DIRT, WATER, SEA SPRAY) WHEN THE SYSTEM IS NOT BEING USED. THEY ARE MADE FROM **3MM-THICK PLASTIC-COATED FABRIC (PVC)**, **FEATURING DOUBLE-STITCHED SEAMS AND A SIDE SPLIT FASTENED WITH VELCRO TO LET THE REFRIGERANT LINES OUT, AS WELL AS REAR HOLES FOR VENTILATION TO STOP CONDENSATION BUILDING UP**. THEY COME IN LIGHT GREY AND ARE AVAILABLE IN 5 SIZES. WE CAN CUSTOM MAKE COVERS FOR ORDERS OF AT LEAST 100. **FOR CUSTOM ORDERS, PLEASE CONTACT THE SALES OFFICE.**

FOR OUTDOOR UNITS

AVAILABLE
IN 7 SIZED

HOLES FOR
VENTILATION ON REAR SIDE



REAR VIEW WITH HOLES FOR VENTILATION TO STOP CONDENSATION BUILDING UP



FRONT VIEW

CODE	DESCRIPTION	L mm	H mm	P mm
12000005	MODEL A	770	530	260
12000006	MODEL B	870	530	280
12000007	MODEL C	880	530	330
12000008	MODEL D	880	620	400
12000009	MODEL E	950	890	370
NEW SCD600006	MODEL F	1000	800	400
NEW SCD600007	MODEL G	1100	1100	400