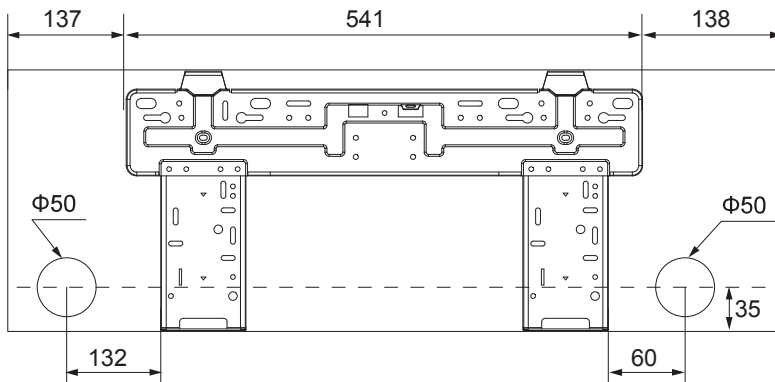
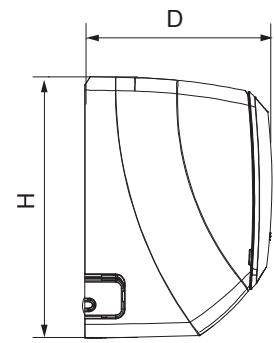
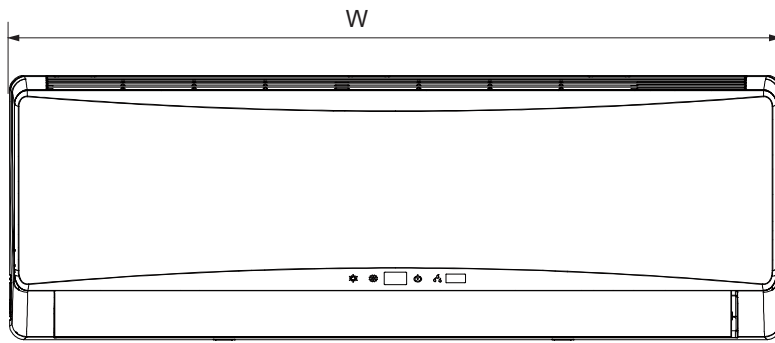
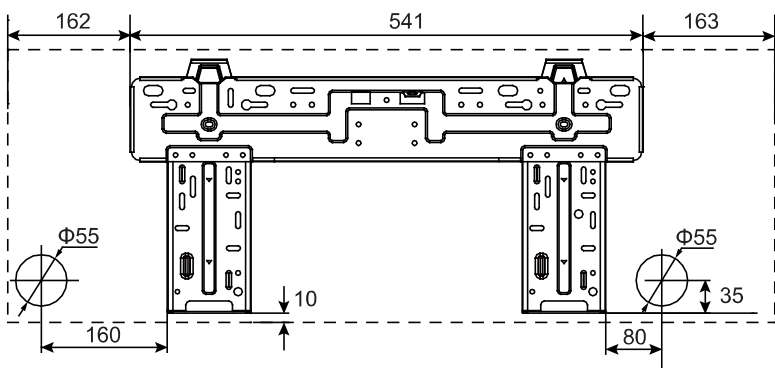


3. Outline Dimension Diagram

3.1 Indoor Unit



09K



12K

| Model | W | H | D |
|-------|-----|-----|-----|
| 09K | 816 | 292 | 209 |
| 12K | 866 | 292 | 209 |

Unit:mm

